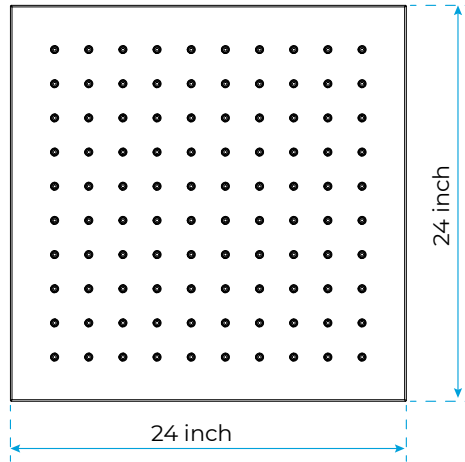


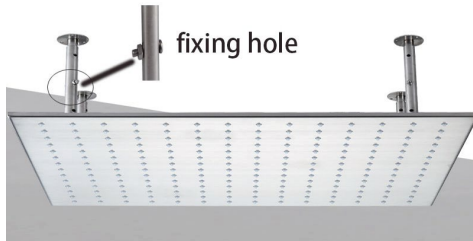
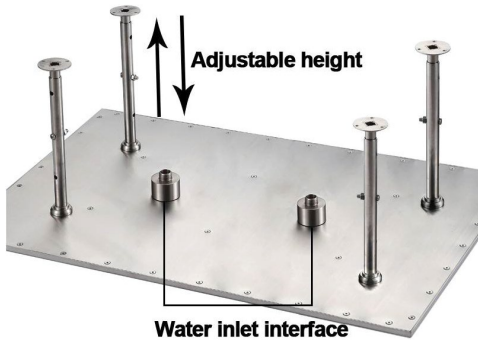
# 2 WAY LED RAINFALL THERMOSTATIC SHOWER SYSTEM WITH HANDHELD SHOWER SPECIFICATIONS



## Shower Head

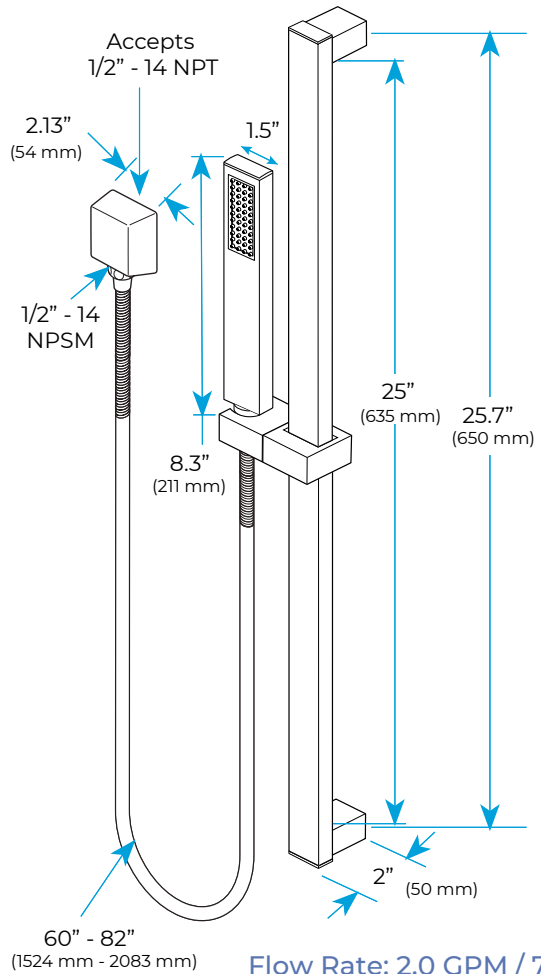


1/2" NPT inlets  
Easy clean nozzles  
Flow Rate: 9.5L/min 2.5 GPM



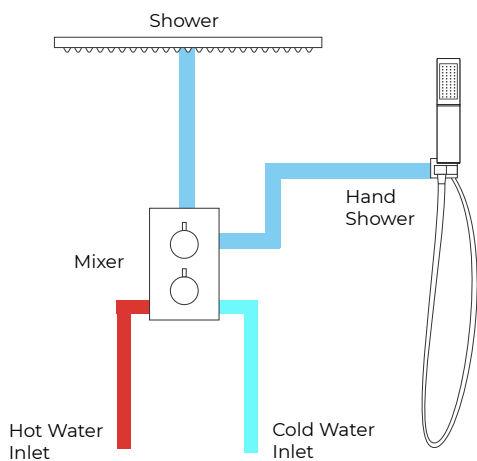
Product images shown is only for installation display purpose

## Hand Shower



Flow Rate: 2.0 GPM / 7.6 LPM

## Mixer Connections



All dimensions and specifications are nominal and may vary. Use actual products for accuracy in critical situations.